



Handbook for International Students



▶ WELCOME

Dear Students,

Welcome to Bavaria! We are glad to see that you have decided to study in Germany in our charming town with its scenic landscape. You won't regret coming here!

This brochure provides information about living and studying in Deggendorf and Pfarrkirchen. If there are any further questions, feel free to contact us. Send us an email, for Deggendorf via welcome@th-deg.de and for Pfarrkirchen via io-ecri@th-deg.de or come to our office on the respective Campus. We will always try to help you and give you advice.

Your International Office Team



▶ TABLE OF CONTENTS

1. Introduction

2. Before you come to Germany

- ▶ Residence Permit
- ▶ Residence Registration for all Students
- ▶ Health Insurance
- ▶ Bank Account

3. Accommodation and Lifestyle

- ▶ Location & Lifestyle
- ▶ Student Life
- ▶ Private Accommodation

4. Advice/Tips&Tricks

- ▶ Energy and Waste

5. DIT / European Campus

- ▶ Map
- ▶ Departments & Services
- ▶ AKI
- ▶ RESP
- ▶ Dates

6. Bavaria

▶ 1. ORIENTATION WEEK

On arriving at the campus, you will take part in an introductory orientation week. In addition to many social events, you will receive detailed course information and practical support with all necessary formalities; i.e. registering at the town hall, obtaining health insurance, opening a bank account, taking German courses and organizing a student ID card.

Participation is compulsory for all international students.



▶ FIND US ON SOCIAL MEDIA

Official DIT Facebook Account

Official DIT Youtube Channel

Official ECRI Facebook Account

Official DIT Twitter Account

Official AKI Facebook Account

Official DIT Instagram Account

Official RESP e.V. Facebook Account



Official DIT Snapchat Account
Username: thdeggendorf

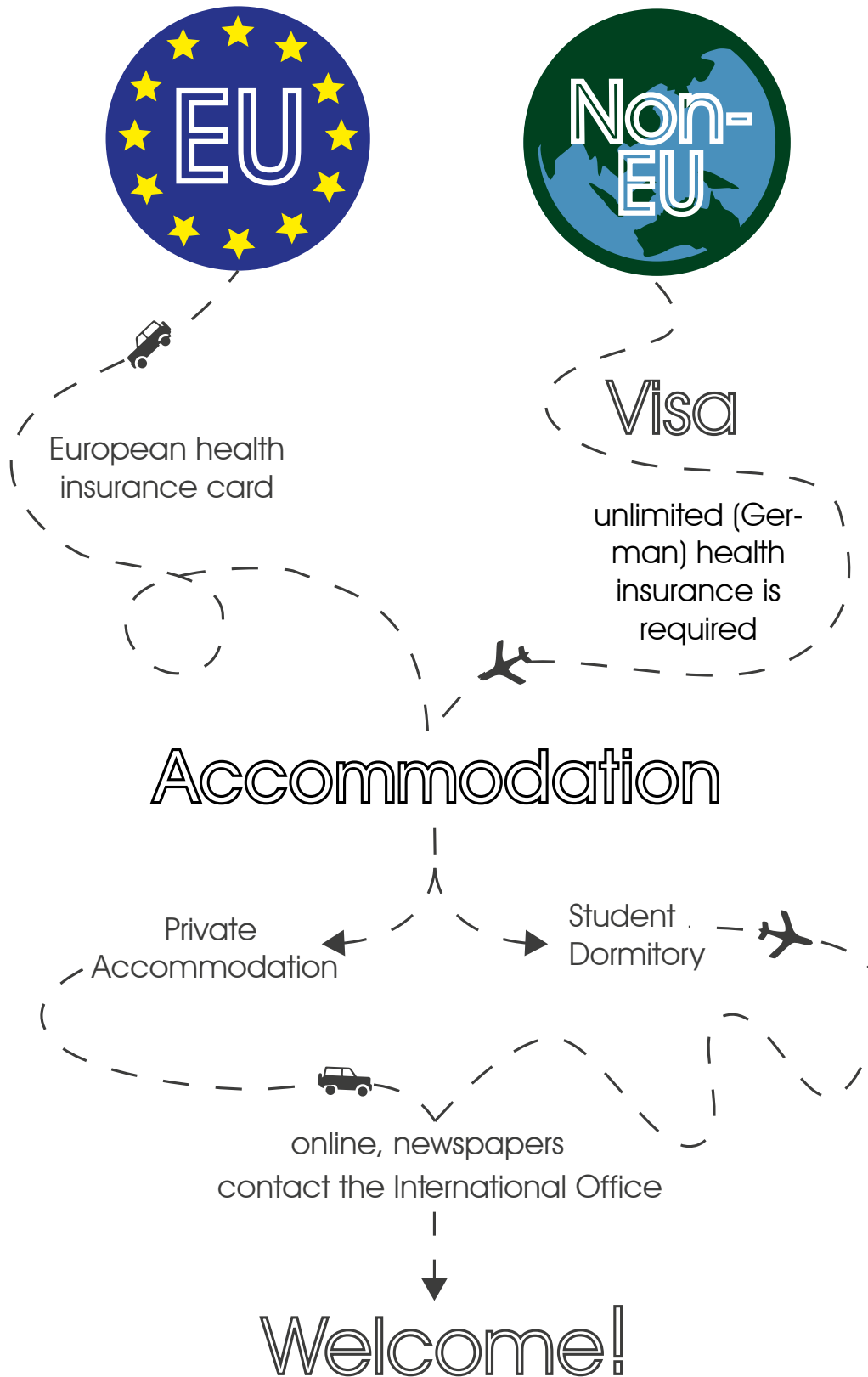
AKI is a student association that enables international students to make international and intercultural experiences by organizing excursions, parties and learning groups.

RESP e.V. is a student association at the European Campus Rottal-Inn that organizes excursions, the „Buddy Programme“ and other events to strengthen the students' team spirit.



▶ 2. THINGS TO DO BEFORE TRAVELLING TO GERMANY

This is your plan of action:



► RESIDENCE PERMIT: For Students who are not from an EU Member Country

Students who are not from an EU member country need to apply for a residence permit ("Aufenthaltsgenehmigung"). To obtain it, you must go to the local Immigration Office ("Ausländeramt"). It is situated in the District Office ("Landratsamt").

You are required to bring along the following documents:

- Passport or ID card
- 3 biometrical photographs
- Enrolment certificate ("Immatrikulationsbescheinigung")
- Proof of health insurance
- Proof of financial support or enough funds
- Copy of birth certificate

Certain nationalities need to open a blocked bank account to be able to apply for a student visa. Please contact the German Embassy in your home country.

Contact Deggendorf:

Landratsamt Deggendorf
 Ausländeramt or Foreigners' Office
 Herrenstraße 18
 94469 Deggendorf
 Tel: +49 (0)991 3100-227
 auslaenderwesen@lrdeg.bayern.de

Contact Pfarrkirchen:

Landratsamt Pfarrkirchen
 Ausländeramt or Foreigners' Office
 Ringstraße 4
 84247 Pfarrkirchen
 Tel: +49 (0)8561 20-0
 auslaenderamt@rottal-inn.de

The application for your residence permit will be organized during Orientation Week.

► RESIDENT REGISTRATION FOR ALL STUDENTS

Germany has compulsory registration for everybody who lives here. If you stay longer than three months, registration should be done within the first two weeks after moving to Germany.

Registration will be organized during the Orientation Week.

To register, you will need the following:

- Your passport
- The filled in „Wohnungsgeberbestätigung“ (form for your landlord)

The registration office is located in the town hall (Rathaus). If you live in another village/city you have to go to this town hall.

Rathaus Deggendorf

Bürgeramt
 Franz-Josef-Strauss-Straße 3
 94469 Deggendorf
 Telephone +49 (0)991 2960-333

Rathaus Pfarrkirchen

Rathaus II
 Ringstraße 29
 84247 Pfarrkirchen
 Telephone +49 (0)8561 306-31



▶ HEALTH INSURANCE

Under German law, everyone studying at a state-recognised college or university is required to take out personal health insurance. Therefore, you will need to submit an insurance certificate when you enroll at college or university. If you do not have private insurance that fulfils the requirements mentioned below, it is recommended that you apply for a German health insurance card.

Please bring with you:

- ▶ Enrolment certificate ("Immatrikulationsbescheinigung")
- ▶ Passport
- ▶ Student ID card
- ▶ German bank account number

For EU citizens:

- ▶ If you are from an EU-country and are already covered by public health insurance in your home country, you are entitled to use public medical care in Germany. Your health insurance will cover all occurring costs for medical treatment.

If you are not a citizen of the European Union:

- ▶ You need to take out German health insurance, which costs around €70 monthly.
- ▶ If you have health insurance in your home country, you have to bring a certificate from your company, which shows that your health insurance will fulfill the requirements stated in §7 Abs.2 of the "Freizügigkeitsverordnung/EG".

If you don't have German health insurance, you will need confirmation from a German insurance company that you are exempt from taking out public health insurance. You need to show this confirmation at the Centre for Studies.

▶ OPENING A BANK ACCOUNT

Official payments are made through bank transfers, e.g. rent to your landlord. Therefore it is useful to open a bank account which usually take about 30 minutes.

Please bring the following items:

- ▶ Passport or ID-card including visa
- ▶ Proof of enrolment (if you do not have it yet, you can submit it later)

It is important to mention that you are a student, because opening an account and bank transactions are free of charge for students. If you do not let the bank know about your student status, there will be a fee. The bank will automatically give you an info card with your account number, bank code, phone number and contact person. You also obtain a cash card, which you can use in Germany and abroad. The opening of your bank account will be organized during the Orientation Week.



▶ 3. ACCOMMODATION AND LIFESTYLE

▶ DEGGENDORF

Deggendorf Institute of Technology is located in a touristic town with a population of 40,000 on the banks of the River Danube. It's a charming location at the foot of the Bavarian mountains, just north of Munich in Southern Germany and close to the Austrian border and the Alps.

Our students enjoy vibrant social lives as Deggendorf has plenty to offer!

The town has a great variety of restaurants, cafes and pubs to offer, plus many cultural festivals and events. It has an excellent network of bike trails, leisure cruise ships on the river and a surrounding hilly landscape that provides a stunning natural backdrop to enjoy the countless recreational activities on offer.

The campus is within easy walking distance of town centre, student accommodation and all local amenities.

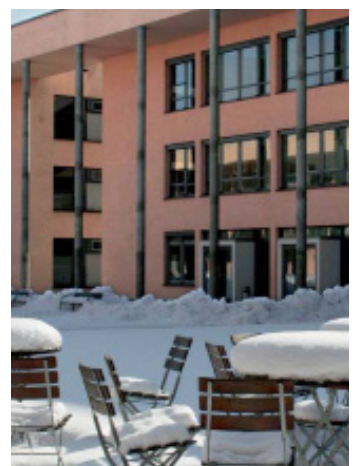
Additionally, Deggendorf has excellent public transport links including Munich international airport only one hour away, making travelling quick, efficient and enjoyable.

A great place to live!

Here are some of the local recreational activities in the vicinity:

- ▶ A modern rowing club on the River Danube just 50 yards from campus
- ▶ Skiing slopes 20 minutes away
- ▶ Mountain biking, hiking and paved inline skating trails are all around
- ▶ A fantastic indoor and outdoor recreational swimming oasis
- ▶ An indoor ice rink for ice skating and ice hockey
- ▶ Rock climbing and paragliding centres near by
- ▶ The famous FC Bayern Munich football stadium is just one hours drive away

Plus, all students can participate in the university clubs which offer a vast variety of sports and social activities.



► PFARRKIRCHEN

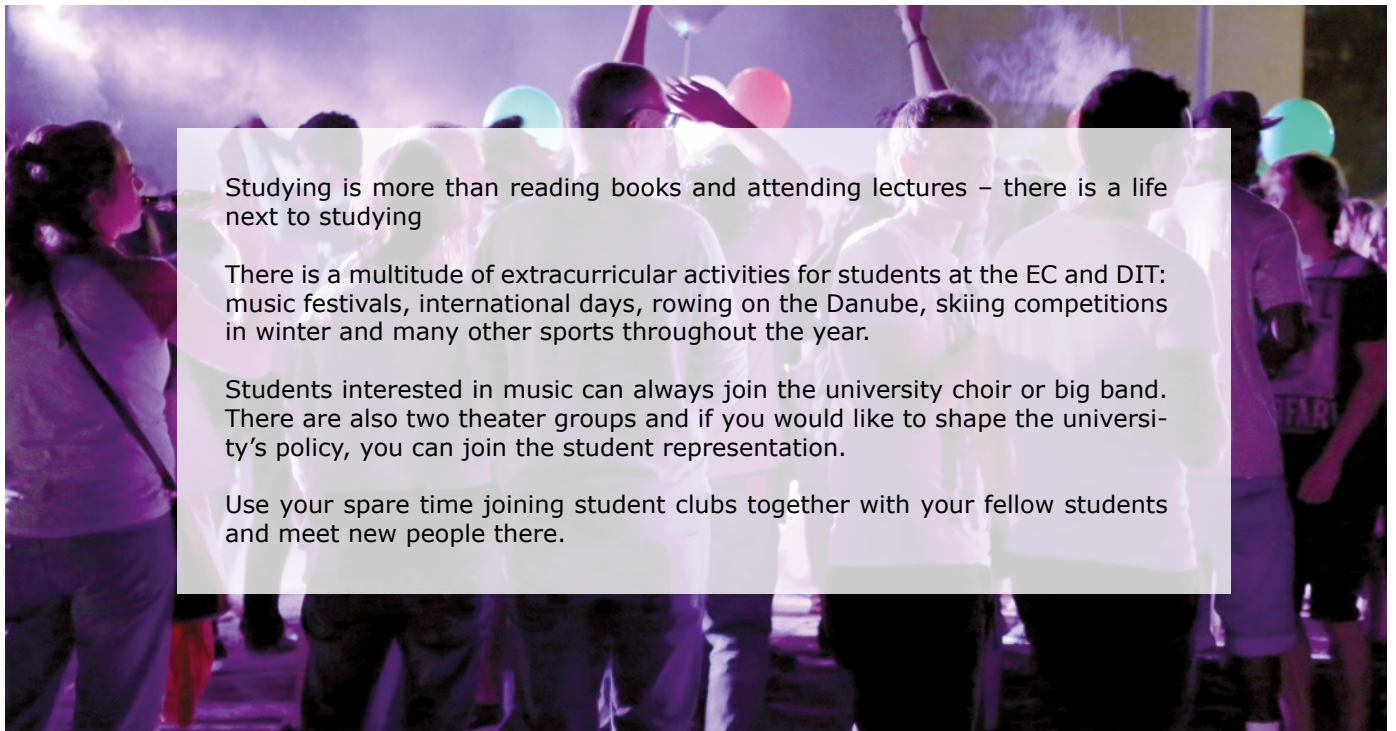
The European Campus Rottal-Inn is nestled among rolling, picturesque hills between the Danube and Inn rivers, close to Austrian and Czech borders and near to the large, cosmopolitan cities of Munich and Salzburg.

Apart from many established businesses, numerous street cafes, bars, secluded courtyards and shady summer gardens tempt visitors and locals alike to linger and enjoy. To compliment this and maximise students' social lifestyle, the campus and student living accommodation is situated within easy walking distance of the town centre and all local amenities.

Pfarrkirchen has become culturally renowned in the area due to its exceptional art exhibitions, museum nights and numerous festivals and events throughout the year. In summer, the old town festival tempts thousands of visitors with its multicultural culinary and musical events.



► STUDENT LIFE



Studying is more than reading books and attending lectures – there is a life next to studying

There is a multitude of extracurricular activities for students at the EC and DIT: music festivals, international days, rowing on the Danube, skiing competitions in winter and many other sports throughout the year.

Students interested in music can always join the university choir or big band. There are also two theater groups and if you would like to shape the university's policy, you can join the student representation.

Use your spare time joining student clubs together with your fellow students and meet new people there.

► ACCOMMODATION - STUDENT RESIDENCES

The majority of DIT's international students lives in the ten student apartment blocks, which are within easy walking distance of campus and all other amenities in town. Most of these flats are in so-called 'student parks' which are attractive low level apartment blocks consisting of small, modern and newly built furnished and self-contained flats for single occupation, although other options are available. Most student parks have a communal lounge, laundry room, wifi, parking spaces and bike lock-up.

All prices are received by the dormitory management. Please be aware that the student residences normally request 6 months rent in advance (in addition to the rental deposit). Contact: welcome@th-deg.de

► PRIVATE - STUDENT RESIDENCES

To find a private accommodation please check these websites:

- www.th-deg.de/wb
- www.stwno.de
- www.wg-gesucht.de

Please pay attention to the following points which are important for you:

- Deposit - you are always asked to pay a deposit sum between €300 and €600
- Private accommodation is available in different parts of the town.
- You have to remain there for the whole period of your stay once you have accepted it.
- Telephone and Internet access are not always available.
- Rental prices range from € 230,- to € 350,- plus utility costs of € 35,- to € 80,- per month.
- All rooms/apartments are self catering.
- You must: **CANCEL YOUR FLAT CONTRACT 3 MONTHS BEFORE LEAVING!**



▶ 4. ADVICE / TIPS & TRICKS

▶ ENERGY AND WASTE

Try to save energy and separate waste:

▶ Waste separation:

Waste paper and glass belong in the waste containers. Emptied and clean packaging belong in the yellow bag (only in some cities). Raw vegetable peelings and coffee grounds belong in the bio-bin if available. All the rest belongs in the residual waste.

▶ Deposit system:

When you buy a bottle in any store or a can of any beverage, there is a 7 - 25 cent deposit on it. You can return the empty bottle / can to any food store and you will get the deposit back:

How to air your room correctly:

Switch off the heaters while airing the room. Air two to three times a day with the window wide open, no permanent airing with the window on tilt (provokes mould).

Utilities ("Nebenkosten"):

Higher costs can occur through wasting energy and water which then have to be put on top of the rent (you get a bill in the beginning of the new calendar year with the additional costs for electricity and water). You would have to pay for it after your move-out (or they keep a part of your deposit instead).

Repairs:

- ▶ If something is broken or damaged, report it to the landlord immediately.
- ▶ Repairs that do not have to be carried out immediately will be attended to by the facility manager as soon as possible after having received the damage report.
- ▶ Emergencies (e.g. flooding) will be attended to by the on-duty service, if the facility manager is off-duty.

▶ GEZ - LICENCE FEE FOR CITIZENS

We have long been able to watch television programmes on a tablet and listen to radio on a smart phone. Technical equipment offers an increasing number of functions and changes in the way we use media content.

Device-independent licence fees are modern and open to technological progress.

For €17.50 per month the licence fee covers all public service broadcasting programmes over all means of distributions. It also ensures that there will be a varied and freely available programme for all citizens in the future.

Find more information under:

www.rundfunkbeitrag.de/e175/e198/Informationsflyer_Buergerinnen_und_Buerger_englisch.pdf

► INTERNATIONAL OFFICE

The International Office is the central facility for all international students at the DIT. It supports you in all matters before and after your arrival as well as during your stay in Deggendorf. It helps you with questions concerning your studies and gives you information regarding accommodation, financing, visas as well as further counselling and other services.

Events organized by the International Office:

- Orientation Week
- Erzählcafé: a pleasant get-together with multinational students and citizens.
- International Week: always in May, including informative presentations, international dancing and games, "Taste the World" where international students prepare and present typical food on campus – trying is recommended!
- Host Family Programme: this programme integrates you into the local culture by introducing you to normal Deggendorf residents, who invite you to their home or take you out on recreational activities. To register please contact welcome@th-deg.de



▶ 10 FACTS YOU NEED TO KNOW ABOUT LIVING IN GERMANY

- ▶ Stop! Think before you dial 112. It isn't appropriate to phone for an ambulance, only having stomach ache. An ambulance can be very expensive. Visiting a doctor is entirely sufficient.
- ▶ A driving license is required to drive a car. Maybe you have to apply for an international driving license. Driving without a license is punished with up to one year in prison.
- ▶ You should be aware that you have to do your errands from Monday to Saturday. All shops are closed Sundays. Authorities and banks are only open Mon-Fri.
- ▶ It's possible to pay with credit card in some shops; however, it's not accepted everywhere, so keeping cash with you is recommended.
- ▶ Always check your emails, as otherwise you will miss important information and fail to meet deadlines.
- ▶ Health insurance is required for living in Germany and don't forget to pay the fees!
- ▶ Nobody jaywalks! No one. Don't try to beat the red light. The little green man on the traffic lights will let you know when it is safe to cross the road.
- ▶ Germans take their recycling seriously! Expect to have at least 4 bins in your house and learn how to separate your trash correctly. When it's time for collection, put the bins out on the sidewalk and the refuse collection will pick it up.
- ▶ Don't forget to bring your own bag, basket or backpack whenever you shop or else you'll end up paying for each plastic bag you need for your purchases.
- ▶ Germans are one of the most punctual people, so they take it very seriously to be ready on time. Take care of that and try to be punctual, too. Otherwise, you will be considered an impolite person.

▶ 5. DIT / EUROPEAN CAMPUS

▶ MAP DEGGENDORF

Index of DIT Buildings:

A - Faculty Business Administration & Business Informatics (Computer Science)

B - Administration/Main Auditorium, International Office, Career Service, Language Centre

C - Faculty Mechanical Engineering & Mechatronics, Copyshop

D - Faculty Civil & Construction Engineering

E - Faculty Electrical Engineering & Media Technology

+ faculty Applied Natural Sciences & Industrial Engineering

F - Cafeteria

G - Library, Data Centre, IT-Support

H - staff administration offices

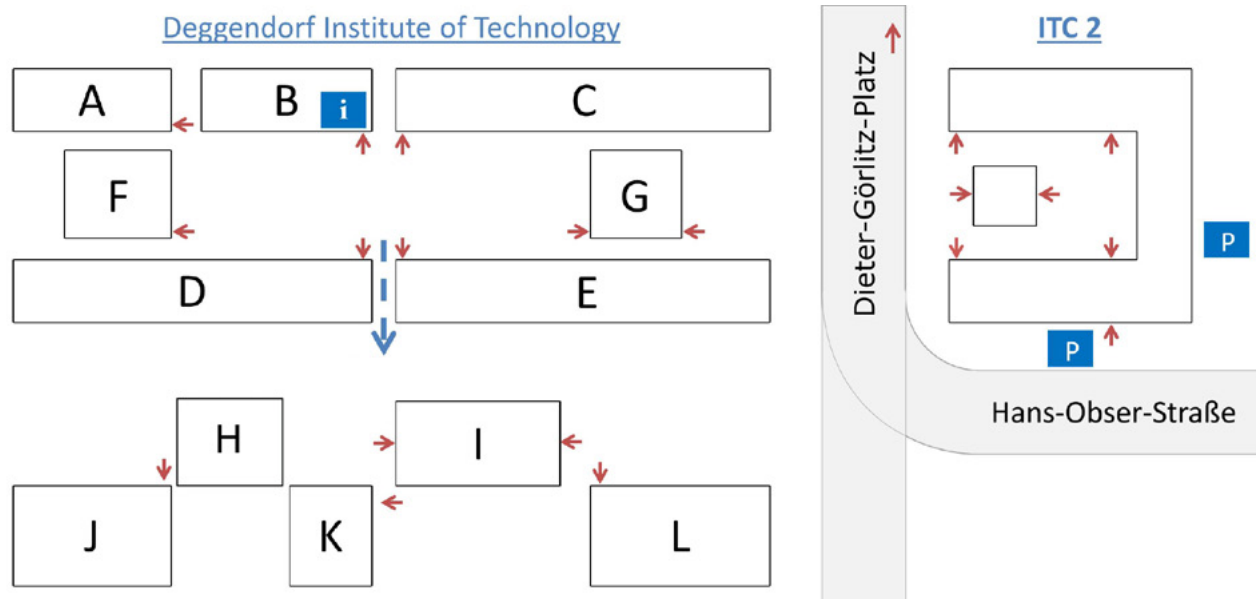
I - Lecture theatres

J - Media Technology

K - Business Informatics

L - Mechanical Engineering, faculty Applied Natural Sciences & Industrial Engineering

ITC2 - Innovation and technology campus, lecture rooms, staff administration offices



► AKI - CLUB INTERNATIONAL E.V. (DEGGENDORF)

The AKI Club organizes trips, events and parties. In AKI there are students from a variety of programmes and countries and from all over the world to help new students arriving at DIT to enjoy their stay in Deggendorf.

AKI – Club International e.V.
Technische Hochschule Deggendorf
Dieter-Görlitz-Platz 1
94469 Deggendorf



► RESP E.V.

RESP e. V. is an association of students at the European Campus Rottal-Inn in Pfarrkirchen. It is a abbreviation for Respect other cultures, European mind, Students, Pfarrkirchen.

RESP e. V. are supporting our international students by offering help with the necessary paperwork and visits to the authorities. Additionally, we organize events such as the Semester-Opening Party, more formal events like the Christmas Party or the Gala Evening.

How can you join us?

You can find application forms either at our room on the campus or at the mensa.

Where can you find us?

You can find us at the European Campus Rottal-Inn, Max-Breiherr-Straße 32

in 84347 Pfarrkirchen



▶ IMPORTANT SEMESTER DATES

▶ WINTER SEMESTER

October 1st - March 14th

Approx. 14 weeks of classes:
end of classes = end of January

Approx. 3 weeks of exams:
end of January - mid February

Semester break:
mid February - mid March

Christmas break:
December 24th - January 6th

▶ SUMMER SEMESTER

March 15th - September 30th

Approx. 15 weeks of classes:
end of classes = mid July

Approx. 3 weeks of exams:
end of June - mid July

Semester break:
beginning of August - end of September

Easter Holidays:
vary each year

Whitsun Holidays:
vary each year

▶ HOLIDAYS

- ▶ New Year's Day: January 1st
- ▶ Easter: Holy Thursday, Good Friday and Easter Monday
- ▶ Labour Day: May 1st
- ▶ Whitmonday: usually end of May, beginning of June
- ▶ National Day: October 3rd
- ▶ Christmas: December 25th and 26th

▶ IMPORTANT TELEPHONE NUMBERS

▶ HOSPITAL

Deggendorf:
+49 (0)991 380-0

Pfarrkirchen:
+49 (0)8561-981-0

▶ AMBULANCE

Emergency: 112

▶ POLICE

Emergency: 110

Police station
Deggendorf:
+49 (0)991-3896-0

Police station
Pfarrkirchen:
+49 (0)8561 96040

▶ FIRE SERVICE

Emergency: 112



► **BAVARIA AND THE BAVARIAN LANGUAGE FOR BEGINNERS**

When you hear the name "Bavaria", the first things you might think of are most certainly the Oktoberfest and beer. In medieval times, the country was very poor. Music and dances developed in the small villages. Families sat and sang songs together during the long evenings. That is why there are often very unique village traditions that have lived on until today, like „Wolfsaustreiben“ in Rinchnach, for example. In Deggendorf and Pfarrkirchen there are traditional music events. Keep your eyes open! You can get to know what the people are like by listening to their music. These traditional events are very interesting and a good place to meet people, and not just other students. Often you can even participate yourself by singing or playing instruments. Some of the old melodies will actually give you goose-pimples. Information about such events can be found at the International Office or AKI. Also, check the Facebook sites "International Office DIT", "AKI club international e.V.", RESP e.V. as well as your emails.



Have a go at learning Bavarian, you'll find it useful as it's widely used in social situations. Good luck!

BAVARIAN	ENGLISH
A	one
A Maß!	A litre of beer, please! (Do you see? In Bavarian, we don't say "please"; we just order what we want!)
abbussln	to kiss sb all over their face
an siaßn Sempft	special mustard; complements the Lebakássemmi (see below)
Basst scho!	It`s okay!
Brezn	pretzel
Bsuffa	drunk
Busserl	kiss

► BAVARIA AND THE BAVARIAN LANGUAGE FOR BEGINNERS

BAVARIAN	ENGLISH
Dirndl	girl or typical Bavarian dress
Dusl	You can say it when someone who doesn't really deserve it has been lucky; also applicable in a situation that was not considered dangerous at first but in hindsight it becomes obvious that someone was really lucky
Erdepfe	potato, direct translation: "earth apple" (i.e. an apple grown in the earth/soil)
Fagäids God!	thanks! "May God reward it"
Fesch	beautiful, mostly in context to people
Gar	finished, over, run out
Geh ma!/ Back ma`s!	let`s go!
Gemütlichkeit	coziness; A very important word to know and an important element of Bavarian mentality: Bavarians generally always try to feel comfortable. To feel exactly what this means try to participate in a Bavarian event. (Not Oktoberfest)
Gickerl	chicken
Graffel	junk
Griaß di/ Habe dehre!/ Servus! Habe die Ehre [hawediere]	hello
gschaftig	industrious
hatschen	walking; if you need to go somewhere on foot but actually you don't want to
Haxn	food, leg, pork knuckle, typical Bavarian meal
Jâ/ Na	yes/ no!
Minga	Bavarian word for Munich

► BAVARIA AND THE BAVARIAN LANGUAGE FOR BEGINNERS

BAVARIAN	ENGLISH
Kreizbianbamhollaschtaun	direct translation: Cross between a pear tree and a elderberry bush; nonabusive swearing; You know the moment when tweak your finger in a door? That is when you use this expression!
Lebakassemmi	something delicious to eat; a type of meat loaf popular in Bavaria. If you want to survive at DIT campus, you need to know what how to say it properly
Mannsbuid	when you see an attractive/non-attractive man/woman
Oa	a, egg, one
Oa Hoibe	half a litre of beer, please!
Oachkatzlschwoaf	squirrels' tail (typical question to pass a colloquial "Bavarian language test")
Oans, zwoa, drei: gsuffa!	direct translation: "One, two, three: and drink! Cheers!"
Pfiat di	saying goodbye to a person you know very well
Pfiat Eahna	saying goodbye politely to one or more
Pferdeepfé	horse apple (manure): When you step in it you'll be lucky
Schtoaböizal	delicious mushroom you can find in the Bavarian forest (yellow boletus)
Servus	hello/goodbye
Schwammerl	mushroom
Sibbzenna	a useful tool to open a screw or a bottle of beer, size 17
Vergelt's Gott	thanks!
Weißwurst	Bavarian veal sausage
Wiaschdlfinga	direct translation: sausage finger; use it if someone wants to tease you by grabbing your mobile phone, for example, and you are not amused. Say: "Dua deine Wiaschdlfinga weg!"
Zwiedawuazn	an insult for a person who is not in a good mood and is irritating everyone

▶ **CONTACT AND ADVICE**

Deggendorf

International Office
Technische Hochschule Deggendorf

Dieter-Görlitz-Platz 1
94469 Deggendorf
Tel: +49 (0)991 3615-242/ -209
welcome@th-deg.de

Pfarrkirchen

European Campus Rottal-Inn

Max-Breiherr-Straße 32
84347 Pfarrkirchen
Tel: +49 (0)991 3615 8812
io-ecri@th-deg.de

